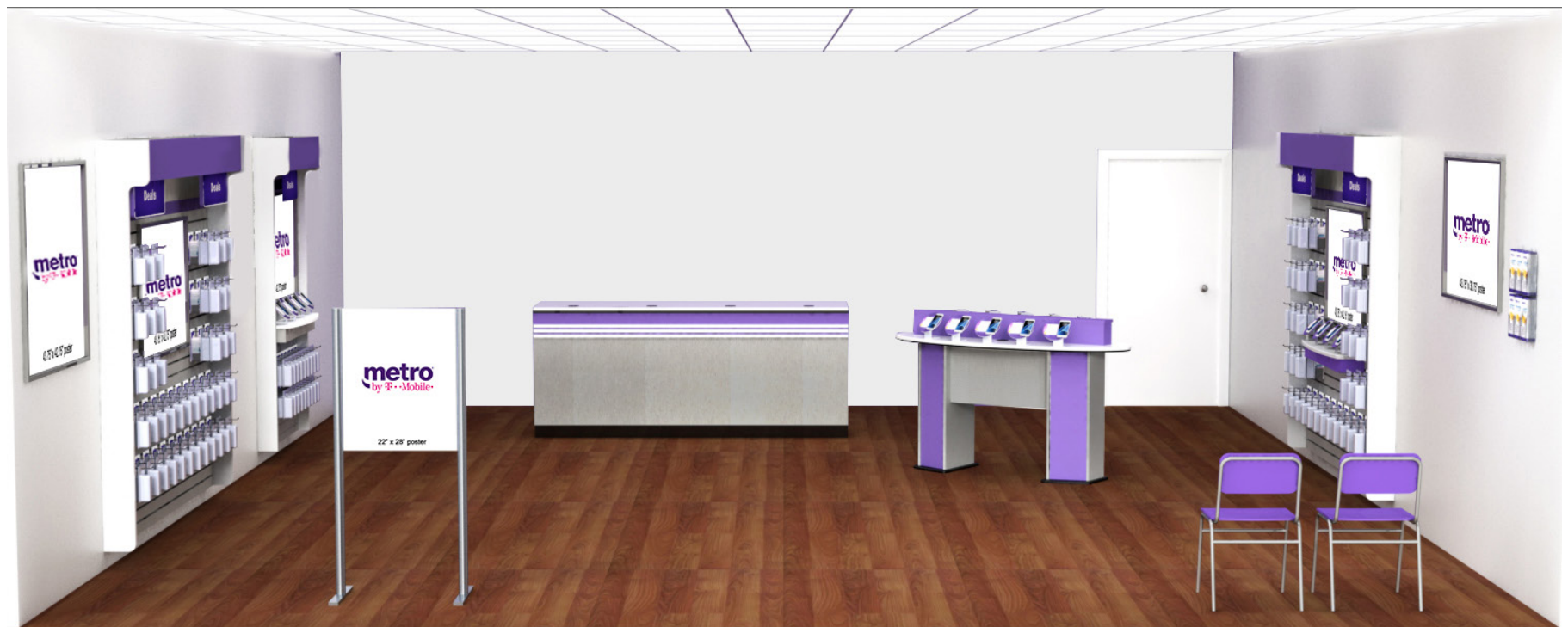




## Approved National Fixture Design



We invite you to visit our website at:  
[www.milfordei.com](http://www.milfordei.com)

Andrew Pierce  
VP Business Development  
[apierce@milfordei.com](mailto:apierce@milfordei.com)  
978.621.6465



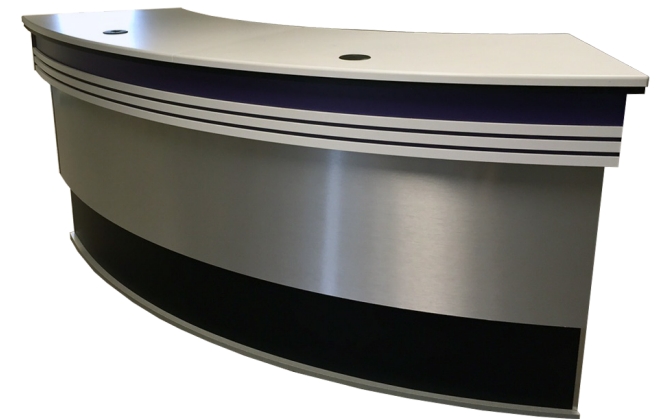


## Features and Benefits

- Packages starting at \$6,500!
- Seamless, high end counter tops that look better and last longer.
- Brushed metal, white and purple for a high end, timeless design.
- Regional warehouses throughout the country.
- White glove inside delivery on all orders.
- Fixtures ship assembled, decreasing time of installation.
- Professional installation teams available.



Seamless counter top detail



 *PROUDLY MANUFACTURED IN THE UNITED STATES OF AMERICA*

# Make Milford Fixtures Last for Life

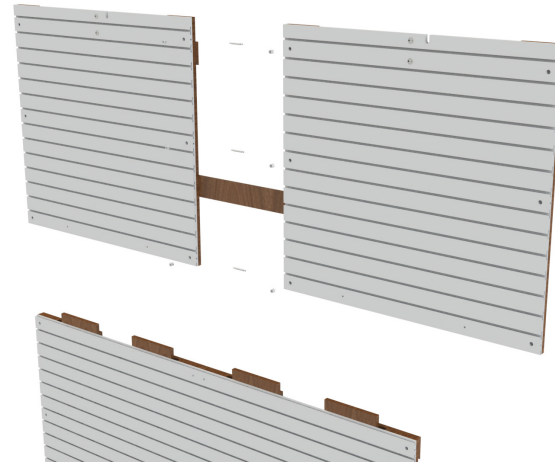
We offer replacement parts for many of our fixtures



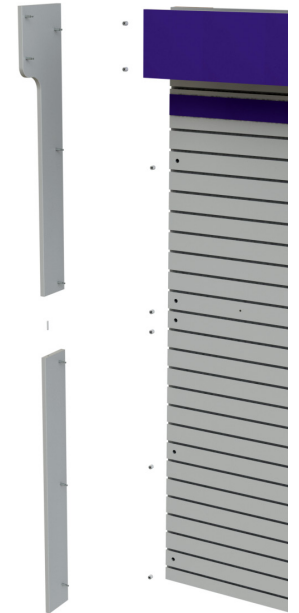
Counterops



Panels



Slot Walls



Side Panels

# Index

Store Layouts	5-8
Interactive Live Phone Displays	9-13
Point of Sale Counters	14-17
Wall Merchandising Displays	18-20
MetroPCS Wall Letterset	21-22
Accessory Items	23-28
Ordering Information	29
Contact Information	30
Market Sales Map	31
Mall Kiosk Design	32

# 500 Sq. Ft. Floor Plan



## Fixture

- 8' Accessory Wall Display
- 4' Accessory Wall Display
- Backlit Illuminated Sign
- Walk Around (Power Pole Available)
- 4' POS
- 4' Work Counter
- 22 x 28 Message Frame
- 43.75" x 42.75" Poster Frame
- 43.75" x 30.75" Poster Frame
- 22" x 28" Floor Poster Holder
- (6) Pocket Brochure Holder
- Phone Holders
- 4' Phone Shelf
- Customer Seating

## Quantity

- 1
- 1
- 1
- 1
- 1
- 1
- 1
- 2
- 3
- 1
- 1
- 16
- 1
- 2

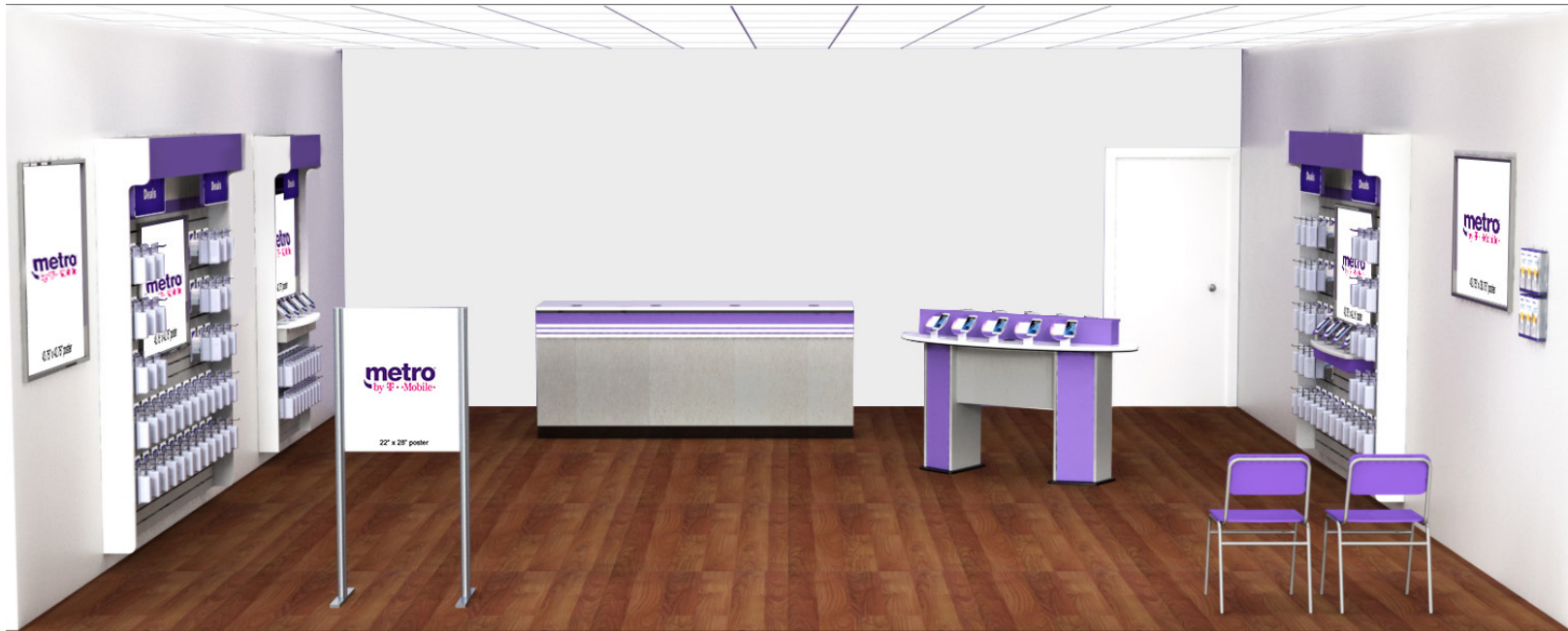


\* Straight 4' POS option



\*(2) 4' Cruved POS takes the place of (1) 4'POS fixture and (1) 4'Work Counter

# 750 Sq. Ft. Floor Plan



## Fixture

Fixture	Quantity
8' Accessory Wall Display	2
4' Accessory Wall Display	1
Backlit Illuminated Sign	1
Walk Around (Power Pole Available)	1
4' POS	1
4' Work Counter	1
22 x 28 Message Frame	1
43.75"x 42.75" Poster Frame	2
43.75"x 30.75" Poster Frame	3
22"x 28" Floor Poster Holder	1
(6) Pocket Brochure Holder	1
Phone Holders	16
4'Phone Shelf	2
Customer Seating	2



\* Straight 4' POS option



\*(2) 4' Curved POS takes the place of (1) 4'POS fixture and (1) 4'Work Counter

# 1,000 Sq. Ft. Floor Plan



## Fixture

- 8' Accessory Wall Display
- 4' Accessory Wall Display
- Backlit Illuminated Sign
- YES Display (Power Pole available)
- Walk Around
- 4' POS
- 4' Work Counter
- 22 x 28 Message Frame
- 43.75" x 42.75" Poster Frame
- 43.75" x 30.75" Poster Frame
- 22" x 28" Poster Holder
- (6) Pocket Brochure Holder
- Phone Holders
- Customer Seating

## Quantity

- 2
- 1
- 1
- 1
- 1
- 2
- 1
- 1
- 2
- 3
- 1
- 1
- 16
- 2



\* Straight 4' POS option



\*(2) 4' Curved POS takes the place of (1) 4' POS fixture and (1) 4' Work Counter

## **Environmental Lighting Package**

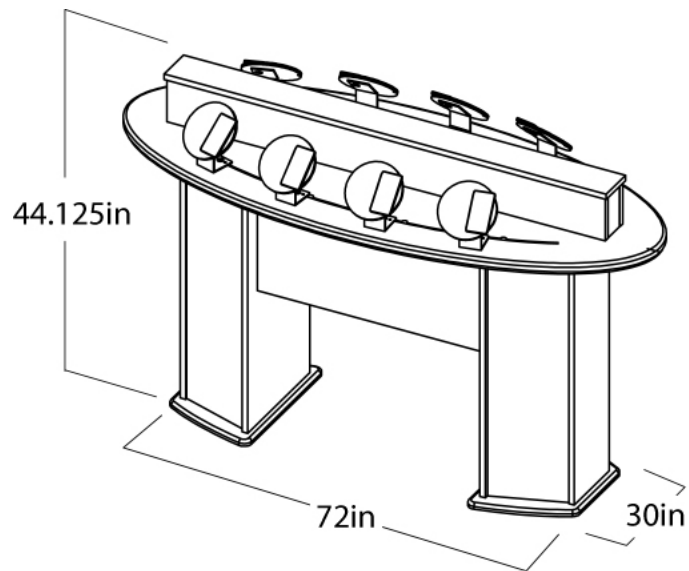
### **Full Package Includes:**

Purple lighting for Accessory Walls  
Purple lighting for Walk Around Display  
Purple lighting for Yes Display  
Purple lighting for 2 Tier Cabinet  
Purple Lighting for 3' x 6' Table  
Lit header for Accessory Walls  
67" x 28" Illuminated MetroPCS wall sign



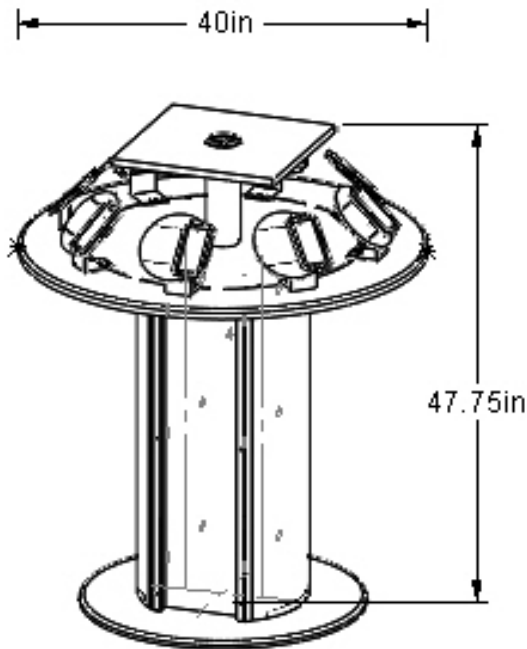
## Walk Around Display

- Merchandise up to 12 live or dummy phones
- High quality counter top with a “solid surface” look
- Flex groove merchandising system lets the dealer adjust the phones any time
- Configured to allow for power pole
- Contains duplex outlet for live phone security



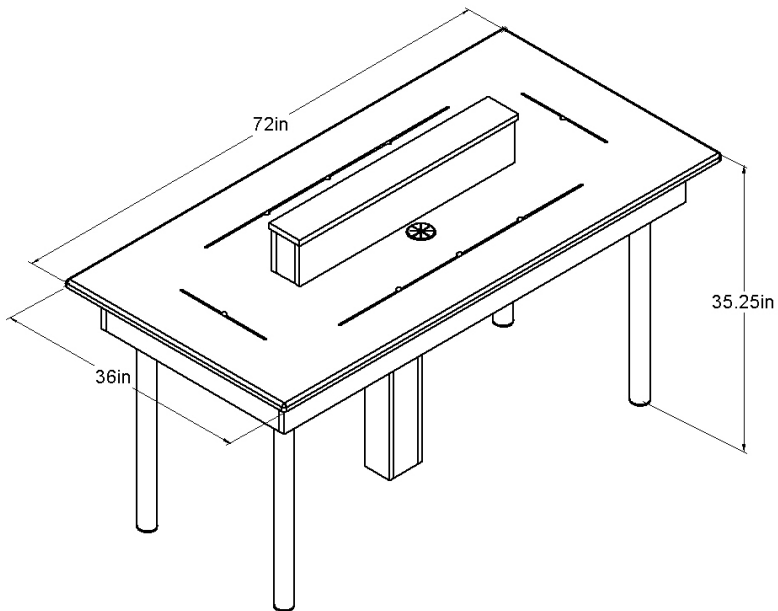
# Yes Experience Center 10.0

- Merchandise up to 10 live or dummy phones
- High quality counter top with a “solid surface” look
- Flex groove merchandising system lets the dealer adjust phone holders anytime
- Configured to allow for power pole
- Contains duplex outlet for live phone security



## 3' x 6' Table

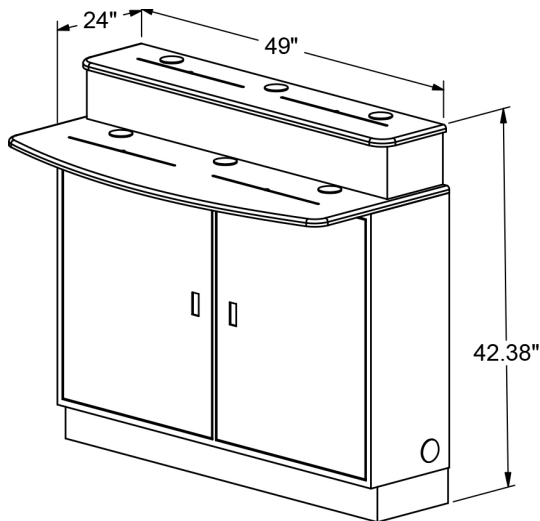
- Merchandise up to 8 live or dummy phones
- High quality counter top with a “solid surface” look
- Flex groove merchandising system lets the dealer adjust phone holders anytime



\*Dummy Phone tethers and price card templates are available to order through your MetroPCS representative.

## 2 Tiered Cabinet

- Merchandise up to 8 live or dummy phones
- Space saving wall cabinet
- High quality counter tops with a “solid surface” look
- Flex groove merchandising system allows the dealer adjust phone holders anytime
- Can be displayed on the wall or in POS lineup



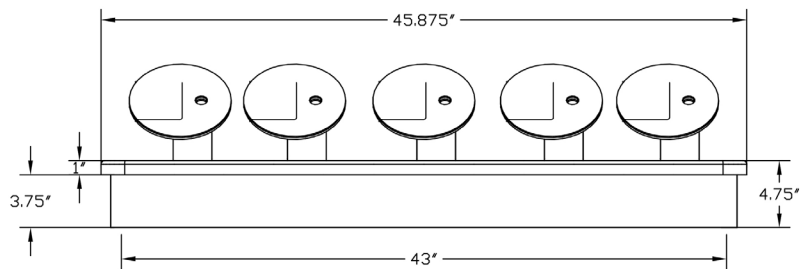
\*Cabinet doors on back of unit when displayed in POS lineup

## Accessory Wall Phone Shelf

- Easily mounts to slot wall
- Holds up to 5 phone holders
- Membrane press top

### Overall dimensions:

4.75" H x 45.875" W x 9"D

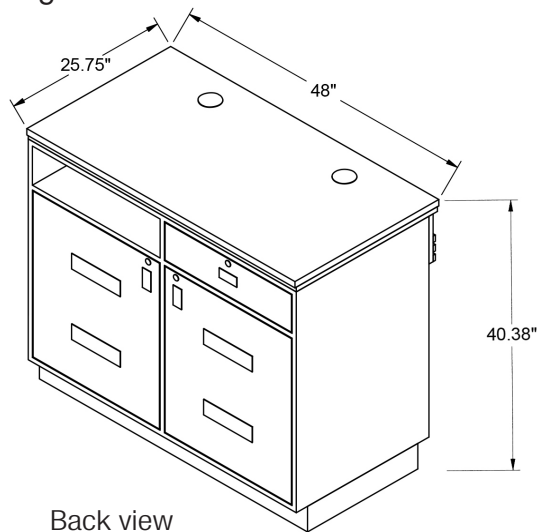


*\* phone holders sold separately*



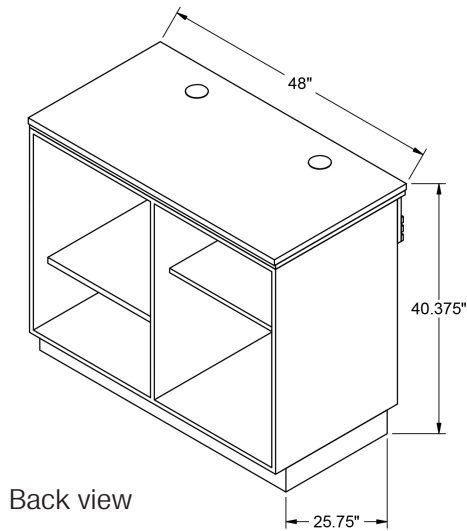
## 4' POS Cabinet

- Eye-catching POS cabinet with (2) dedicated stations
- Locking drawers and vented doors for CPU & other electronics
- Dedicated cash drawer cubby
- High quality counter top with a "solid surface" look
- Optional counter top shroud
- Dimensions: 9" H x 44.75" W x 9.63" D
- Contains duplex outlet for computer plug-in



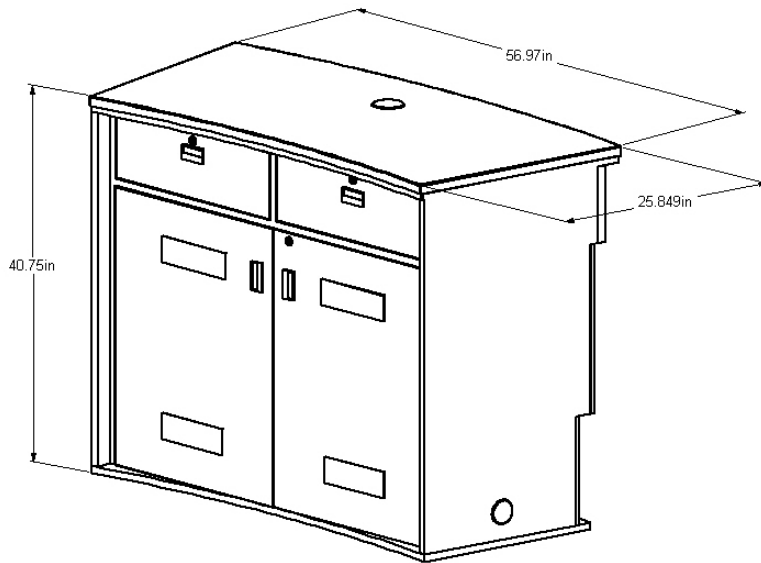
## 4' Work Counter

- 4' work counter can be used to extend your 4' POS Cabinet work space
- High quality counter top with a "solid surface" look
- Optional counter top shroud  
Dimensions: 9" H x 44.75" W x 9.63" D
- Two adjustable shelves



## 4' Curved POS

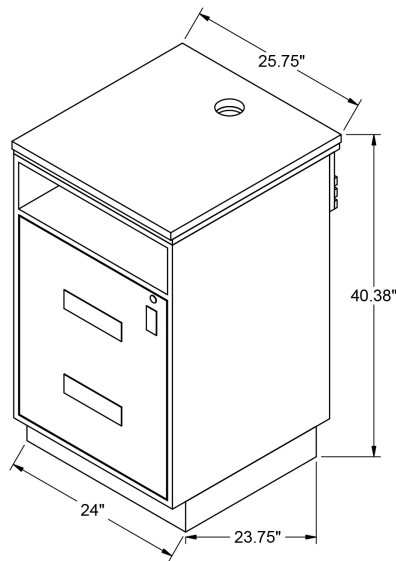
- Eye-catching radius POS cabinet
- Locking drawers and vented doors for CPU & other electronics
- Dedicated cash drawer cubbie
- High quality counter top with a “solid surface” look
- Multiple cabinets can be place together to create a larger work area





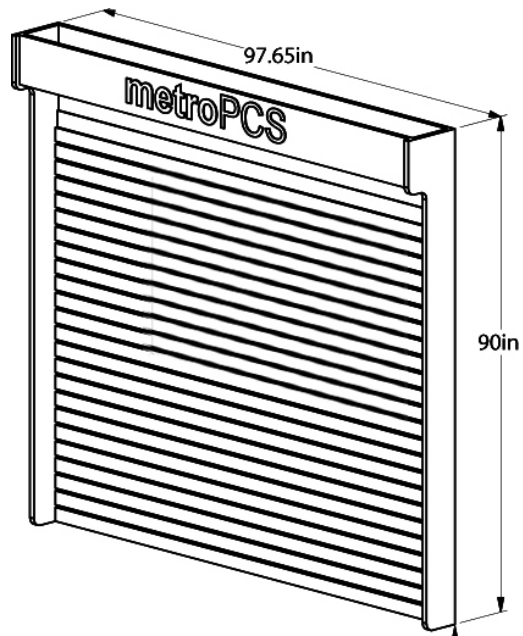
## 2' POS Cabinet

- Eye-catching 2' cabinet
- Creates additional counter space when added to a 4' POS
- High quality counter top with a “solid surface” look
- Dedicated cash drawer cubby



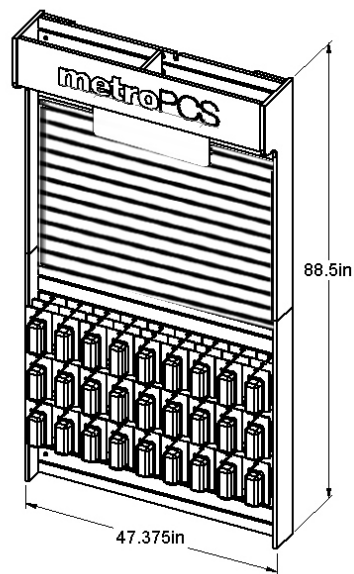
## 8' Accessory Wall Display

- New header and valance
- Includes 60 peg hooks that allow for merchandising of approximately 180 accessories
- Dimensional design sits 4" off the finished floor
- Header accessory sign included



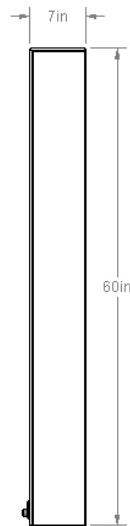
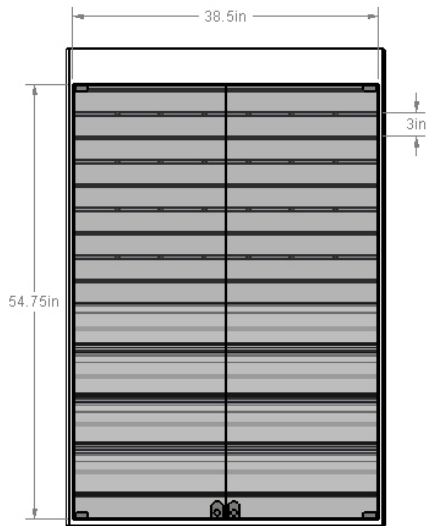
## 4' Accessory Wall Display

- New header and valance
- Includes 30 peg hooks that allow for merchandising of approximately 90 accessories
- Dimensional design sits 4" off the finished floor
- Header accessory sign included

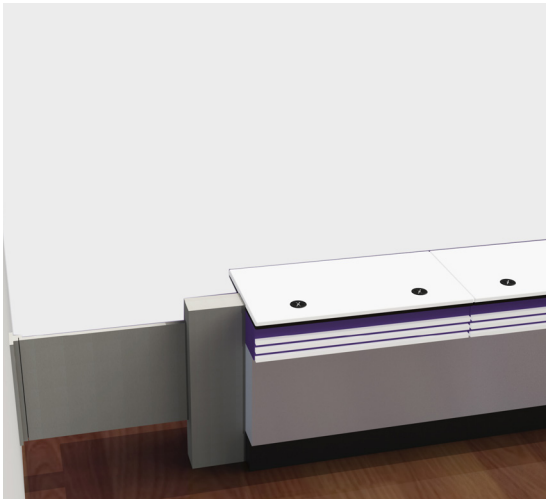


# 5' Wall Showcase

- Wall mountable showcase
- Locking glass doors
- Comes with (24) peg hooks and (4) acrylic shelves which can be rearranged
- Internal LED lighting



## 4' Swing Gate and Return



Approximate Dims: 48"L x 36"H AFF x 6"D

## Acrylic Phone Holder



- Fits 4" x 4" tag
- Dummy phone tethers and price card templates are available to order through your MetroPCS representative

# Poster Holder/ Snap Frames

## Floor Poster Stand



Dimensions: 60"H x 30"W x 18"D

- Ships mostly assembled
- Double sided
- Light weight
- Modern look
- Front loading poster frames on each side (28"H x 22"W)

## Snap Frame



- 2 Sizes available  
Dimensions: 43.75"W x 30.75"H  
43.75"W x 42.75"H

# Secure Peg Hooks/ Waiting Area Chair



## InVue - StopLok

Dims: .75"W x 2"H x 1"D

- Ease of use
- Secure & durable
- Universal lock symbol
- Flexibility
- Allows retailer to select the number of "live" and "locked"



## InVue - Security Hook

Dims: 2.52" x 1.85" x 9.76"D

- Ease of use
- Secure & durable- secures into slat wall and front of hook
- Universal lock symbol
- Flexibility
- Allows retailer to select the number of "live" and "locked" merchandise items



## General Phone Security

- Secure live phones to phone holder
- 4 live phone position security systems
- Allows customers to interact with phones

## Power Pole



Dimensions:  
2.5"Diameter x 96"H  
Can accommodate an 11' ceiling  
2' extension can be purchased  
(13' ceiling)  
Metallic silver powdercoat finish

## ADA Compliant Shelf



Approximate Dimensions:  
36"L x 24"W  
Mounted at 32"H to the top  
surface

## Waiting Area Chair

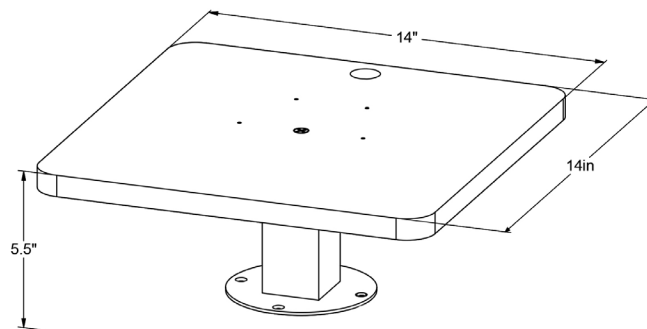


Dimensions:  
31.5"H x 19.25"W x 21.25"D  
Frame color: Nickel Vein  
Seat and Back color: Grape  
Weight: 16 lbs.  
Chairs stack 10 high



## Customer Financing Display

- Compatible for Laptops, Notebooks, and Tablets
- Universal design for all counter tops
- Shelf swivels and is height adjustable
- Kit includes: shelf, swivel assembly, self-installation guide, hole saw, drill bit
- Security device optional
- Tablet & laptop security sold separately

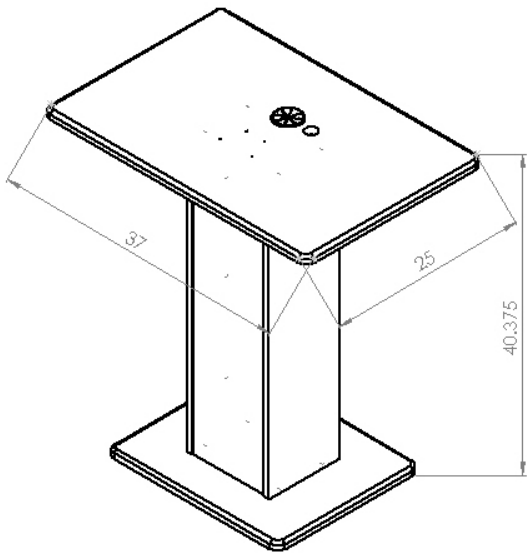


\*Laptop not included

\*Shipping and installation not included

# Financing Podium

- Great option for financing station
- High quality countertop with a “solid surface” look
- Holds laptop or tablet security bracket\*
- Configured to allow for power pole or to bring power from the floor



\*Security brackets sold separately

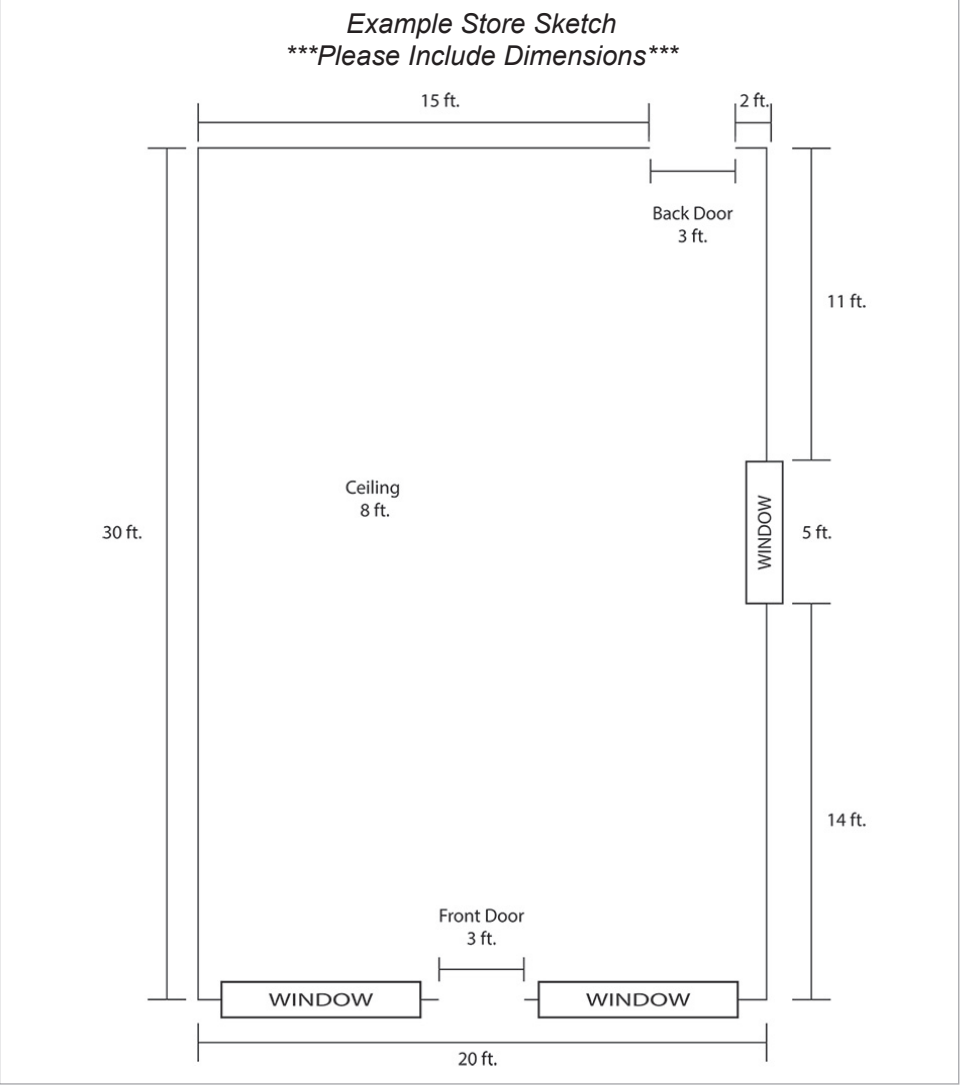


<b>Dealer Business Name:</b>	
<b>Street Address:</b>	
<b>City, State, Zip:</b>	
<b>Door ID # (8 #'s)</b>	
<b>Market/Region:</b>	
<b>Dealer's Name:</b>	
<b>Phone:</b>	
<b>Email:</b>	
<b>MPCS Contact:</b>	
<b>Phone:</b>	
<b>Email:</b>	

Please attach a sketch to the order form including the following information:  
 \* Walls \* Bump-outs/Columns \* Doors (front, back, side)  
 \* Windows \* Ceiling Height \* Bathroom/Storage Rooms

Notes:

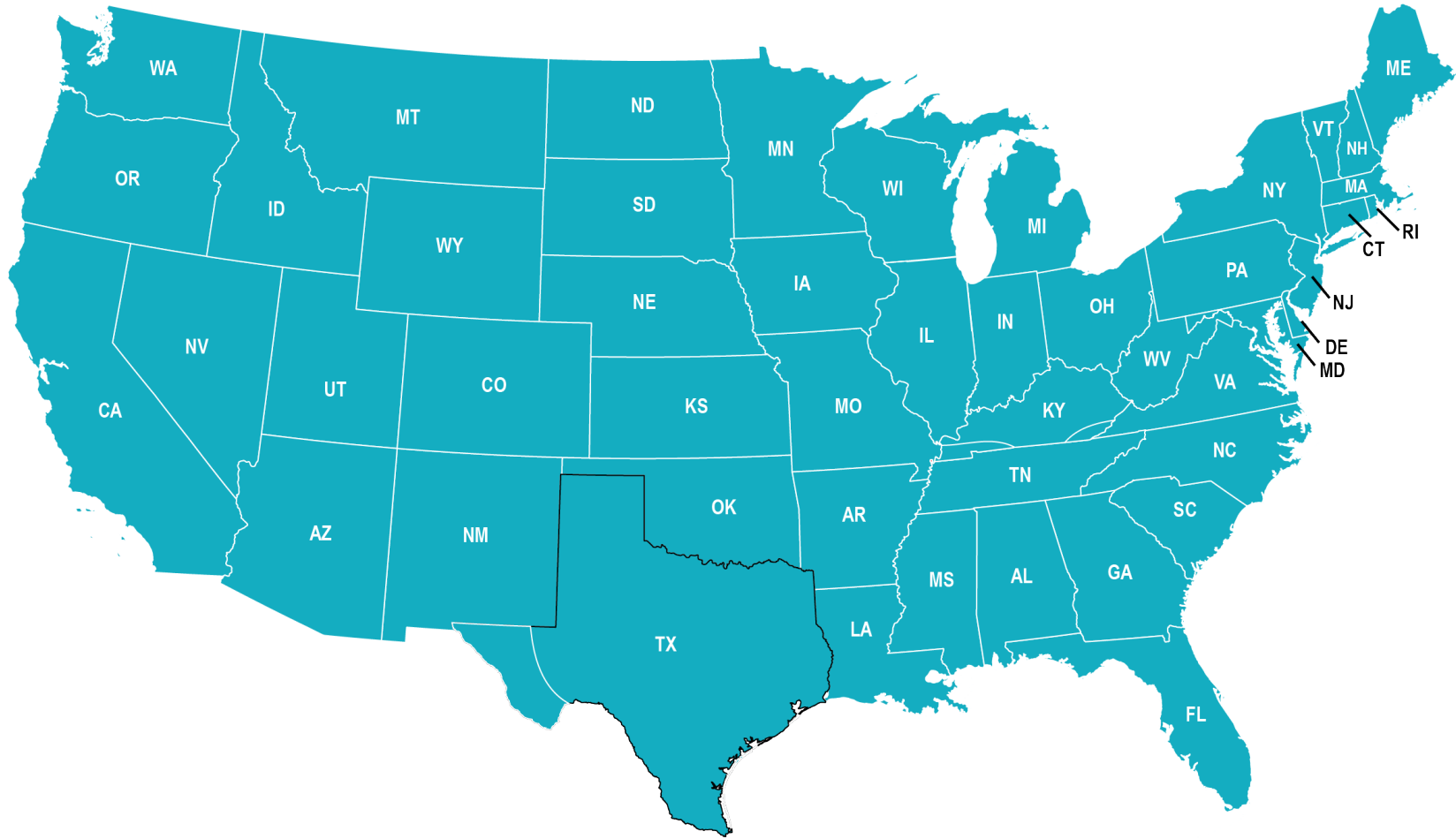
<b>Number of POS Needed:</b>		<b>POS Type:</b>	
<b>Target Date for Delivery:</b>			
<input type="checkbox"/> <b>Pro Installation:</b>	*If Installation is needed please advise if wall surface is not drywall		
<input type="checkbox"/> <b>Apple &amp; Android Fixtures:</b>	4' with 2' Smartphone Fixture: <input type="checkbox"/>	4' Only: <input type="checkbox"/>	
	Countertop Kiosk: <input type="checkbox"/>		
<b>Floor Display Type:</b>			
<b>Financial Responsibility:</b>			
<input type="checkbox"/> <b>Live Phones/Security:</b>	Security System <input type="checkbox"/>		
<input type="checkbox"/> <b>Accessory Security:</b>	Security Hooks: <input type="checkbox"/>	# Hooks: <input type="checkbox"/>	
	Security Hook Keys <input type="checkbox"/>	# Keys: <input type="checkbox"/>	
<input type="checkbox"/> <b>LED Lighting Options:</b>	Backlit Illuminated Sign: <input type="checkbox"/>	Halo Lighting <input type="checkbox"/>	
	Lit Headers for Accessory Walls: <input type="checkbox"/>		
	Purple LEDs for Accessory Walls: <input type="checkbox"/>		
	Purple LEDs for Floor Fixtures: <input type="checkbox"/>		
<input type="checkbox"/> <b>Finance Station:</b>	Laptop Security <input type="checkbox"/>	Tablet Security <input type="checkbox"/>	
<input type="checkbox"/> <b>Large Entrance Mat:</b>	<input type="checkbox"/>		
<b>Standard Package:</b>	500 sq ft <input type="checkbox"/>	750 sq ft <input type="checkbox"/>	1000 sq ft <input type="checkbox"/>



*Thank you! Please contact us at:*



We invite you to visit our website at:  
<http://metropcs.milfordei.com/>  
[www.milfordei.com](http://www.milfordei.com)



**Andrew Pierce**  
**VP Business Development**  
**[apierce@milfordei.com](mailto:apierce@milfordei.com)**  
**978.621.6465**

# Stock Kiosk

8' x 8'	\$13,590*
10' x 10'	\$16,077*
10' x 12'	\$18,133*

\* Stock kiosk include fire rated material, illuminated pylon, (12) phone holders, phone wedges, (3) corner snap frames, showcase lighting and UL approved wiring.

\* Apple and Android cabinet included.

## Custom Kiosk - Pricing based on final design

### Additional Optional Services

(Note that these services may add time and costs to the project)

*Freight costs determined and quoted based on destination.*

*Mall Developer Submission and Approval: 2-4 weeks - \$1,170*

*Local Building Department Permitting: 2-4 weeks - \$1,330*

*Architectural Signed and Sealed Drawings (if required): 1 week - \$1,500*

*Non Union Installation: \$2,000. Excludes Licensed Electrician, Licensed GC and Union labor which are also available, if required.*

