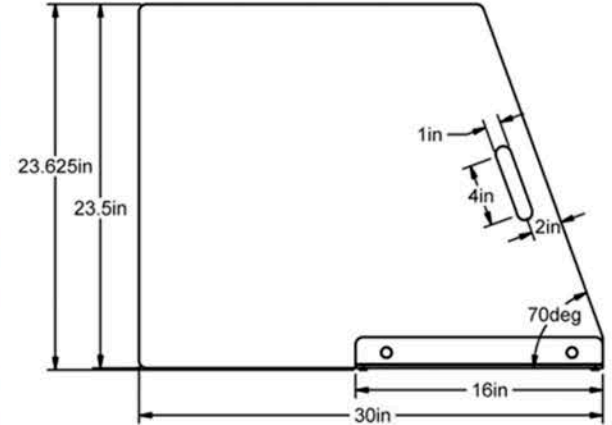


# BAR DIVIDER



Print out, complete and email this form to [sales@milfordei.com](mailto:sales@milfordei.com)

Date: \_\_\_\_/\_\_\_\_/\_\_\_\_

BILL TO: _____	SHIP TO: _____
BUSINESS NAME: _____	BUSINESS NAME: _____
ADDRESS _____	ADDRESS _____
CITY: _____	CITY: _____
STATE: _____ ZIP: _____	STATE: _____ ZIP: _____
PHONE: _____	PHONE: _____
EMAIL: _____	EMAIL: _____

Item	Product Description	Quantity	Finish	Unit price	Extension
	<b>Multiple colors available for steel base Weight 15.75lbs Reach out for bulk order pricing</b>			<b>\$199.00</b>	
<b>Made in USA</b>				Sub Total	
				Applicable Sales Tax	
				Ground Freight	
				Total (prepay required)	

Payment is required prior to shipment. We accept wire transfer, Visa, Mastercard and American Express. NOTE: A 4% administrative fee will be added for credit card charges.

For additional information, please call 215-538-2778

**Email the completed form to: [sales@milfordei.com](mailto:sales@milfordei.com)  
We will follow up with you regarding final invoice amount and payment**



Displays • Kiosks • Retail Environments